



WC807 Rotation Support Bar Kit

94A0566 Retrofit Kit -- Internally Lit

Service Bulletin

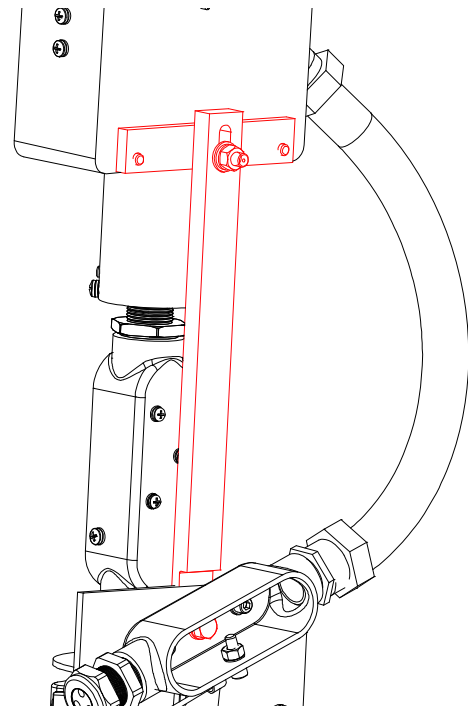
Document Number

ALN149, May 28, 2010,
Rev. A , 7 June 2010

ADB Airfield Solutions

P.O. Box 30829
977 Gahanna Parkway
Columbus, OH 43230

Tel. (614) 861-1304
Fax. (614) 864-2069



2.0	Installing the 94A0566 Retrofit Kit INT Lit LED WC Rotation Bar	2-1
2.1	Introduction	2-1
2.2	Special Tools and Equipment Required	2-1
2.3	Rotating Power Supply Support Bar Installation	2-1

2.0 Installing the 94A0566 Retrofit Kit INT Lit LED WC Rotation Bar



WARNING

Read the instructions in their entirety before starting installation.

Do not attempt to service electrical equipment if standing water is present. Use caution when servicing electrical equipment in a high-humidity environment.

Use tools with insulated handles when working with electrical equipment.

Allow only qualified personnel to perform the following tasks. Observe and follow the safety instructions in this document and all other related documentation.

Read and understand the instruction label affixed to the side of the wind cone pole on the Lowering Instructions before lowering the pole.

Lowering the pole unassisted could result in personal injury or damage to the pole assembly.

2.1 Introduction

This service bulletin provides instructions to install a new ADB Rotating Power Supply Support Bar Kit.

2.2 Special Tools and Equipment Required

Tools and equipment required to install an ADB Windcone Rotating Power Supply Support Bar Kit.

Required Equipment Not Supplied

See wiring diagrams:

- 43A3418/V Wiring Diagram Voltage Driven
- 43A3418/C Wiring Diagram Current Driven

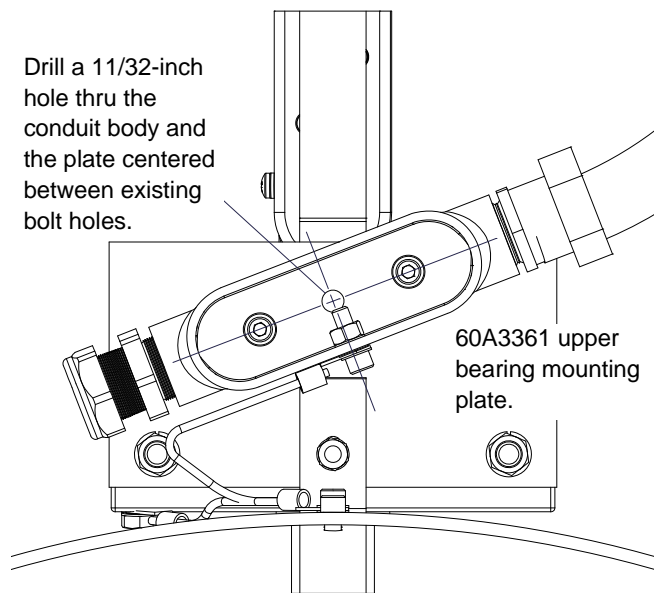
Table 2.1. Required Equipment Not Supplied

Wrenches for 5/16-inch hex screws and nuts
Allen hex keys for 1/4-inch SHCS
Medium size blade screwdriver
Miniture size blade screwdriver
L-807 Instruction Manual 96A0345
11/32" drill bit and drill motor

2.3 Rotating Power Supply Support Bar Installation

1. Remove covers from electric box and conduit body. Ref Figure 2.2.
2. Drill 11/32-inch hole thru the conduit body. Ref Figure 2.1.
3. Install adapter bar using 1/4-20 x 1-1/4 SHCS.
4. Install the rotation bar: slip it over the stud on adapter bar and bolt other end with 5/16-18 x 3/4 bolt and 5/16 sealing washer.
5. Attach stud end of the rotation bar using 5/16" flat washer, lock washer and nut. Use one drop of LOCKTITE to secure each nut.
6. Check and tighten all the hardware.
7. Replace the covers.
8. Use LOCTITE provided on all hardware.

Figure 2.1. Conduit Body

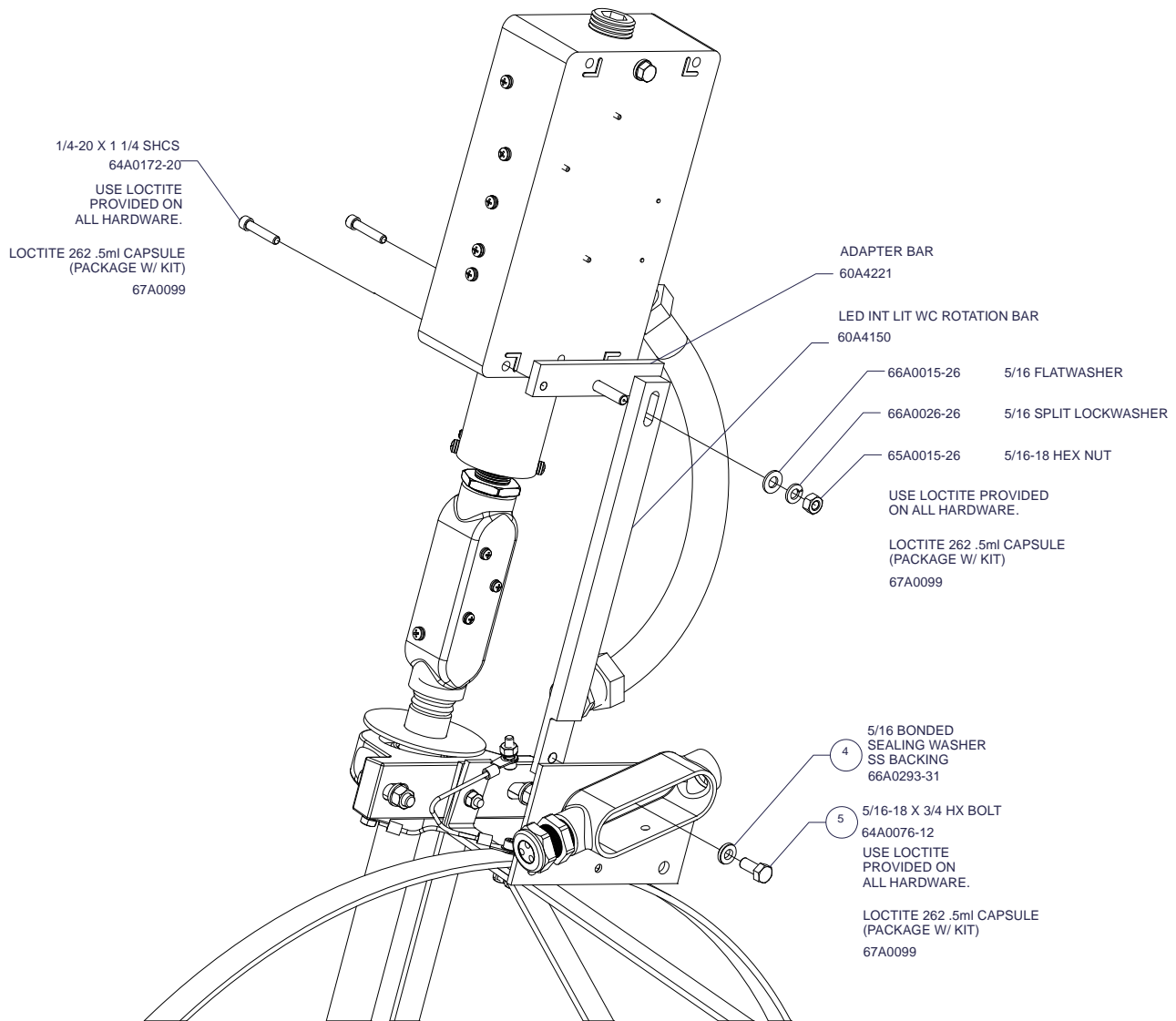


2 - Installing the 94A0566 Retrofit Kit INT Lit LED WC Rotation Bar

Installing the 94A0566 Retrofit Kit INT Lit LED WC Rotation Bar

Rotating Power Supply Support Bar Installation

Figure 2.2. Rotating Power Supply Support Bar Assembly



Directions for LOCKTITE® use:

For Assembly

1. For best results, shake the product thoroughly before use.
To prevent the product from clogging in the nozzle, do not allow the tip to touch metal surfaces during application.
2. For Thru Holes, apply several drops of the product onto the bolt at the nut engagement area.
3. For Blind Holes, apply several drops of the product down the internal threads to the bottom of the hole.
4. Assemble and tighten as required.

For Disassembly

1. Apply localized heat to nut or bolt to approximately 250 °C. Disassemble while hot.

For Cleanup

1. Cured product can be removed with a combination of soaking in a Loctite solvent and mechanical abrasion such as a wire brush.

ADB Airfield Solutions
Leuvensesteenweg 585
B-1930 Zaventem
Belgium
Tel: +32 (2) 722.17.11
Fax: +32 (2) 722.17.64

ADB Airfield Solutions, LLC
977 Gahanna Parkway
Columbus, OH 43230
USA
Tel: +1 (614) 861-1304
+1 (800) 545-4157
Fax: +1 (614) 864-2069
manuals.us@adb-air.com

www.adb-airfieldsolutions.com

ADB Airfield Solutions, Ltd.
5500 North Service Road, Suite 1108
Burlington, Ontario
L7L 6W6 Canada

Telephone: (905) 331-6887
Fax: (905) 331-9389

© 2010 ADB Airfield Solutions, LLC. All Rights Reserved.

ADB is a registered trademark of ADB Airfield Solutions, LLC. Product names mentioned may be trademarks of their respective companies. Specifications are subject to change without notice.